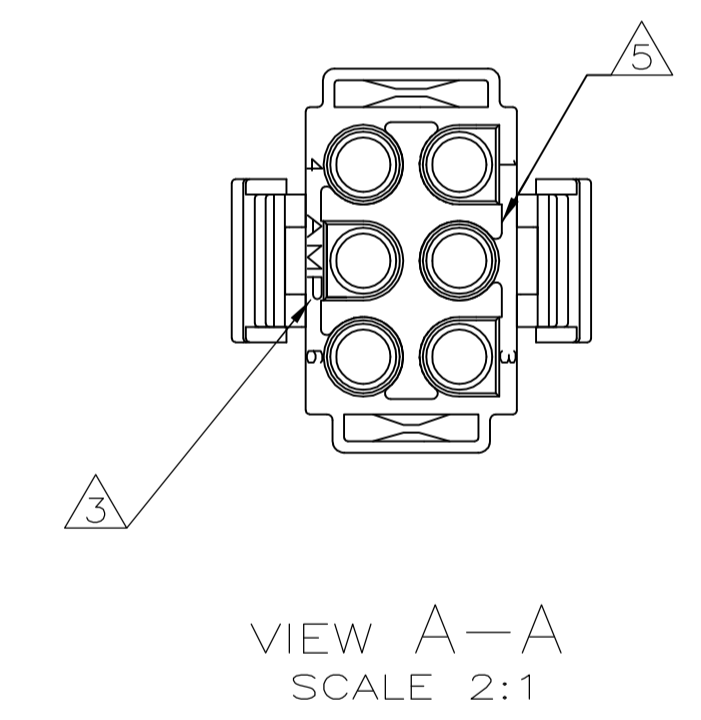


1. BULK PACKAGED, UNASSEMBLED.
2. APPROVAL AGENCY LOGO LOCATED APPROXIMATELY AS SHOWN.
3. AMP LOGO LOCATED THIS SURFACE.
4. CIRCUIT NUMBER ONE IDENTIFICATION BUTTON AND CIRCUIT IDENTIFICATION NUMBERS ARE EACH LOCATED ADJACENT TO THE APPROPRIATE CIRCUIT CAVITIES.
5. NEW MOLD CONSTRUCTION PROVIDES MATERIAL REDUCTION CORING AT BASE OF SILOS WITH NO CORING AS OPTIONAL.
6. DIMENSION INDICATED IS AS MOLDED. ADDITIONAL GROWTH DUE TO SUBSEQUENT MOISTURE ABSORPTION MAY OCCUR.



770020-1  
PART NUMBER

METRIC

THIS DRAWING IS A CONTROLLED DOCUMENT.		DIN K SALMON 1-22-92	PART NO	
DIMENSIONS: INCHES		CHK R SWING 1-22-92	770020-1	
TOLERANCES UNLESS OTHERWISE SPECIFIED:		APVD M TRULL 1-22-92	NAME	
0. PLC ± -		NAME	PLUG HOUSING KIT, 6 CIRCUIT, UNIVERSAL MATE-N-LOK™ II	
1. PLC ± -		PRODUCT SPEC		
2. PLC ± -		APPLICATION SPEC		
3. PLC ± 0.13 [.005]		SIZE	A1	
4. PLC ± -		WEIGHT	00779 C=770020	
ANGLES ± -		CUSTOMER DRAWING	SCALE 5:1 SHEET 1 OF 1 REV D1	